

# Evolution 05 Mini

## 360° Night Camera

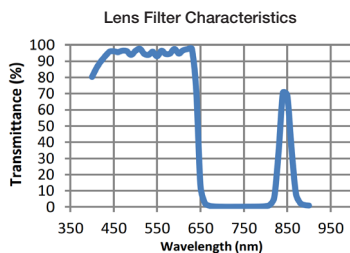
Taking the next step in 360° total situational awareness

### 5MP sensor

- Constant 360° surveillance, no blind spots
- Ultra-small enclosure ideal for discreet mounting
- No moving parts; no maintenance; silent operation
- 0.2 lux minimum illumination; enhanced WDR
- Up to 30fps video stream at 1MP and ¼MP
- PoE powered; with integrated RJ45 flying lead
- 3-years warranty

### IR Optical Filter

- Visible light + near infrared pass-band at 850nm



### Advanced event management

- microSD card slot for local recording and advanced event management
- Supports microSD cards of up to 128GB
- Up to 10 configurable privacy regions
- Up to 16 polygonal Video Motion Detection regions

### A truly discreet installation

- Quick and easy installation
- Professional light weight enclosure
- Pleasing aesthetics in white or black finish
- Convenient surface-mounting

### Mounting options

- Pole mount adapter
- M20 conduit back box
- Indoor kit (pole mount adapter + conduit back box)

### Extensive NVR/VMS platform integration; Full live and retrospective dewarping

- Market leading Oncam Grandeye 3D dewarping software
- Camera features are accessible via VMS platforms
- Simultaneous multiple video streams; with resolutions from 528x480 to 2144x1944
- 50x digital zoom capability through client-side dewarping
- H.264/MJPEG streaming with multiple quality levels
- Optimises bandwidth and storage utilisation
- Configurable password protection
- Intuitive web-based interface for viewing and configuration
- Supports major VMS / NVR / HDVR systems

# Evolution 05 Mini



## 360° Night Camera

Taking the next step in 360° total situational awareness

### TECHNICAL SPECIFICATIONS

Model	EVO-05-LIN (White enclosure)	EVO-05-LJN (Black enclosure)
<b>General</b>		
Field of View	360°	
Image Sensor	5 megapixel; Array Format (Active) 2592H x 1944V = 5,038,848 pixels; 1/2.5-inch CMOS Sensor	
Angle of View	180° hemisphere	
Lens	185° 1.6mm / F2.0	
Minimum Illumination	0.2 lux = 50 IRE F/2.0 (6500K)	
Optical Filter	Visible light + near infrared pass-band at 850nm	
Frame Rate	30fps for 1MP and ¼MP resolution 15fps for 2MP resolution 10fps for 4MP full resolution	
Video Motion Detection	12 regions; configurable response; adjustable characteristics	
Security	Configurable password protection	
Advanced Event Management	Triggered by motion, HTTP event, Result configurable; FTP/SMTP upload, Local recording (with upcoming firmware update)	
Networking	TCP/IP, HTTP, DHCP, DNS, NTP, FTP, SMTP, RSTP, uPNP	
Privacy Regions	10 configurable privacy regions	
Micro SD Card	Built-in Micro SD card slot	
Signal-to-Noise Ratio	45dB	
White Balance Range	Auto White Balance (Range = approx. 2500K-8000K)	
<b>Electrical</b>		
Connection	Flying lead - RJ45 plug	
Network Cable Type	CAT5 or better for 100Base-TX	
Power Input	Power over Ethernet (PoE), IEEE standard 802.3af	
Power Consumption	4.032W max	
<b>Video</b>		
Video Stream 1 & 2 Codec's	H.264 High, Level 5 / MJPEG (both streams configurable)	
Video Stream 1 & 2 Compression Level	Multi-levels of compression adjustment	
Video Stream 1 & 2 Pixel Resolution	Fisheyes at: ¼ MegaPixel (528x480), 1MP (1056x960) , 2MP (1488x1360), 4MP (2144x1944)	
Video Stream 3 Codec	MJPEG	
Video Stream 3	Multi-levels of compression and frame rate adjustment (max 15 fps)	
Video Stream 3 Pixel Resolution	Fisheye at: ¼ Megapixel (528x480)	
Image Control	Settings: brightness/contrast/saturation/exposure compensation; compression quality; wall/ceiling/table mount	
Image Enhancement	Electronic WDR 60dB	
PTZ Functionality	50x digital zoom with Oncam 3D client-side dewarping software	
VMS / NVR / HDVR supported	Most major VMS / VMS / HDVR systems (contact Oncam Sales for latest list)	
Web Browser Compatibility	Internet Explorer IE9 (with ActiveX plug-in, supplied); Firefox 23 ; Chrome 29; using Quicktime, minimum version 7	
Number of Unicast Users Supported	Up to 20 simultaneous users depending on the resolutions settings	
Bit Rate Control	Selectable options: constant bit rate control; capped bit rate control; constant quality control	
<b>Minimum system requirements</b>		
Processor and Memory	Computer with 1Ghz 32-bit (x86) or 64-bit (x64) processor and with minimum of 512 MB	
Operating System	Windows Vista 32-bit with service pack 2 (SP2) of higher / 64-bit with service pack (SP2) of higher	
Hard Drive Space	Windows Vista 32-bit = minimum 70MB / Windows Vista 64-bit = minimum 120MB	
Display	Super VGA (800 x 600) of higher-resolution monitor with 256 colours	
Peripherals	100Mbps or greater network connection, mouse or compatible pointing device, keyboard	
<b>Mechanical</b>		
Camera Mount	Indoor Surface mount	
Weight	0.25kg (0.55lbs)	
Enclosure	ABS Thermoplastic	

# Evolution 05 Mini



## 360° Night Camera

Taking the next step in 360° total situational awareness

Environmental	
Operating Temperature Range	0 to +40°C (-32 to +104°F)
Storage Temperature Range	0 to +40°C (-32 to +104°F)
Operating Humidity	Up to 98% (In accordance with BS EN 60068-2-30 Test Db variant 1 using test methodology BS EN 50155)
Ingress Protection rating	IP40-rated – Indoor use only

Certifications / Ratings / Patents	
Patents	15 patents; 15 patents pending; 20 licensed patents
Approvals	IEEE802.3af Class 2; EMC: (CISPR Class A) FCC; CE; ICES-003; Safety: UL60950

Other Related Products	
Hardware/Software Solutions	Oncam Grandeye SDK integration pack, Evolution 5MP Camera Range, Evolution Accessories, IP Configuration Tool, 360-degree Viewer, OnVu360 Mobile Apps (iOS, Android)

Frame Rate, Resolution & Storage Needs					
H.264					
4MP *	2144 x 1944	10fps	Constant bit rate settings	5 Mbits/s	24hrs = 54GB **
2MP	1488 x 1360	15fps	Constant bit rate settings	3 Mbits/s	24hrs = 40GB **
1MP	1056 x 960	15fps	Constant bit rate settings	1.5 Mbits/s	24hrs = 16GB **
1/4MP	528 x 480	15fps	Constant bit rate settings	0.8 Mbits/s	24hrs = 8GB **
MJPEG					
4MP	2144 x 1944	10fps	Average file size: 640KB	Average bit rate: 52.4 Mbits/s	24hrs = 552.96GB **
2MP	1488 x 1360	15fps	Average file size: 350KB	Average bit rate: 43.0 Mbits/s	24hrs = 453.60GB **
1MP	1056 x 960	15fps	Average file size: 188KB	Average bit rate: 23.1 Mbits/s	24hrs = 243.65GB **
1/4MP	528 x 480	15fps	Average file size: 62KB	Average bit rate: 7.6 Mbits/s	24hrs = 80.35GB **

\* Factory / Default settings

\*\* Based on the same scene, with constant average light conditions

Mounting Accessories			
Image	Part	Product Code	Description
	IK10+ vandal resistant bubble trim (Indoor use only)	OBE-11-IWA (White)	The dome bubble trim cover is made of optical grade polycarbonate.
		OBE-11-IBA (Black)	This can be fitted instead of the supplied front trim cover.
	M20 conduit back box	OBE-16-OWA (white)	The back box accessory is available in black or white.
		OBE-16-OBA (black)	It can be fitted at the back of the camera and provides 3x points of entry for easy cabling through M20 size conduits.  Excess cable can be rolled and kept in place inside the back box for a neat installation.
	Pole Mount Adapter	OBE-13-IBA	M32 female thread; supplied with M32 to 1½ NPT male thread adaptor.  To be fitted on the back of the camera
	Indoor Mounting Kit	OBE-17-OWA (white)	This mounting kit contains the following 2 items:  - Pendant Mount Adapter - Conduit Back Box in either black or white
		OBE-17-OBA (black)	

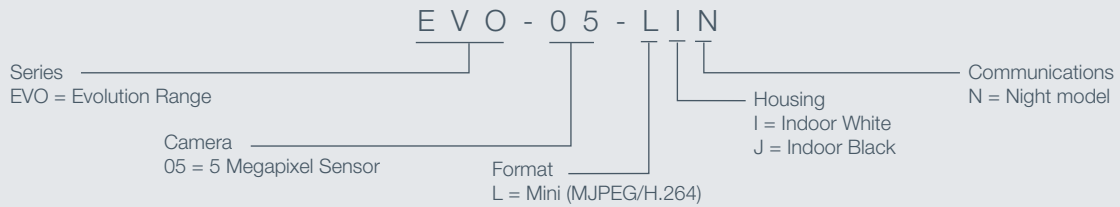
# Evolution 05 Mini



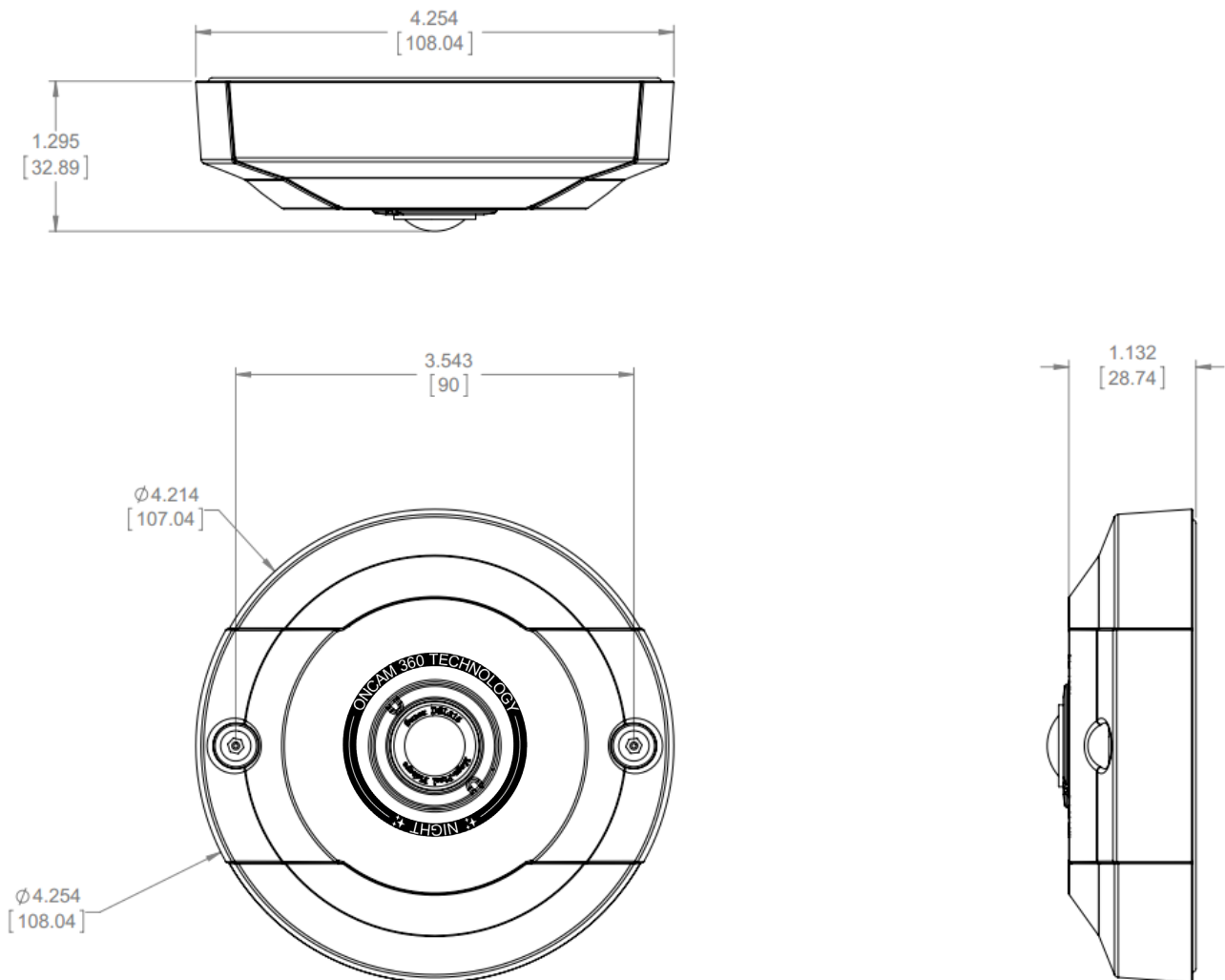
## 360° Night Camera

Taking the next step in 360° total situational awareness

### Ordering



### Dimensions



Copyright 2016 by Oncam Global Group AG. Oncam Grandeye is the trade name of Oncam Global Group AG. All rights reserved. All screen images are simulated. Specifications and configurations subject to change without notice. Oncam Grandeye and IPZoom are trademarks of Oncam Global Group and its subsidiaries. The names of companies, entities, organizations and/or products/services mentioned herein may be the trademarks of their respective owners.

OG\_2016.02\_EU